



Cooltech Industries
Pty Ltd

Linear Slot Diffuser (SLD)



Variants:

- Fixed Core
- Removable Core
- 20 or 25mm slot widths

Cooltech Industries Pty Ltd | www.cooltechindustries.com.au

PO Box 501, Brighton le Sands, NSW, 2261 | Unit 1/11 Devon Rd, Ingleburn, NSW, 2565

Ph: 1300 COOLTECH | Email: sales@cooltechindustries.com.au

Linear Slot Diffuser (SLD)



The **Cooltech Industries Linear Slot Diffuser (SLD)** is a modern air distribution solution manufactured from high-grade aluminium extrusion. This linear diffuser showcases a sleek appearance suitable for contemporary settings. Its design incorporates the following features: Crafted from premium-grade aluminium extrusion, the diffuser combines durability with a sophisticated aesthetic, featuring a solid outer body for a sleek design. It is equipped with adjustable inner pattern control blades in black, providing precise control over directional airflow and assisting in air dampening when required. The central blades within the diffuser are designed for easy removal and reinstallation as a complete set, streamlining installation, maintenance, and adjustments.

Rigid 4mm thick aluminium brackets secure the diffuser's body, ensuring the maintenance of its linear and straight form over time. The linear diffuser offers the option of 20mm or 25mm slot widths, accommodating different airflow requirements and installation neck widths. It can be configured with up to 8 slots, offering flexibility in optimising airflow distribution.

While the standard finish is a white powder coat, Cooltech Industries offers the choice of different powder coat colours or a natural anodised finish upon request.

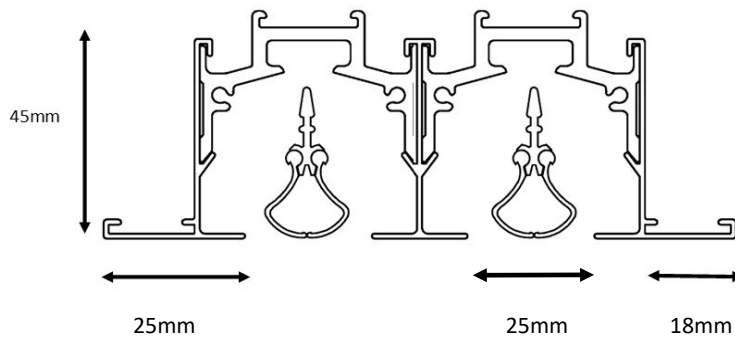
Product Highlights:

- Fixed or Removable Core
- Adjustable Pattern Controller
- Attractive Appearance
- Sleek Linear Design
- Single or Continuous Lengths
- Suitable for Ceiling Heights up to 2.7m



Linear Slot Diffuser (SLD)

Fixed Core 25mm Slot Width

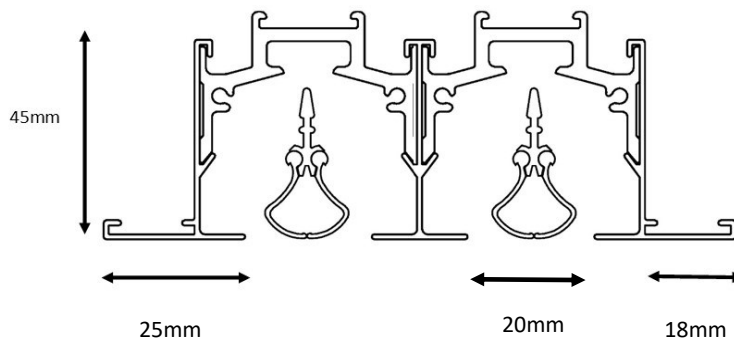


No of Slots	Slot Width (mm)	Exact neck width (mm)	Exact Face Width (mm)
1	25	45	80
2	25	90	125
3	25	135	170
4	25	180	215
5	25	225	260
6	25	270	305
7	25	315	280
8	25	360	395



Linear Slot Diffuser (SLD)

Fixed Core 20mm Slot Width

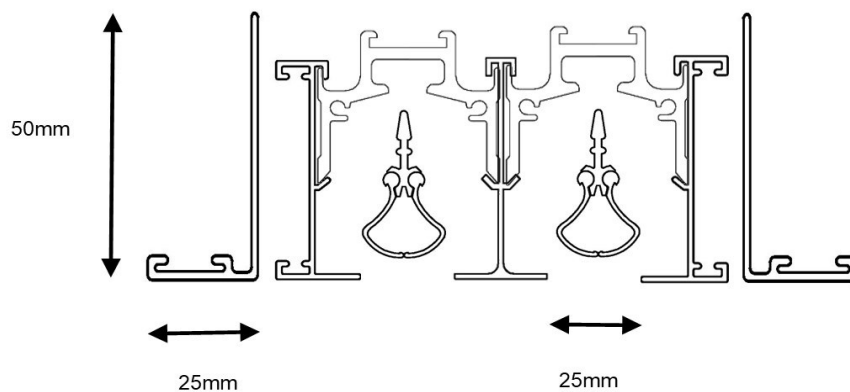


No of Slots	Slot Width (mm)	Exact neck width (mm)	Exact Face Width (mm)
1	20	40	75
2	20	80	115
3	20	120	155
4	20	160	195
5	20	200	235
6	20	240	275
7	20	280	315
8	20	320	355



Linear Slot Diffuser (SLD)

Removable Core 25mm Slot Width



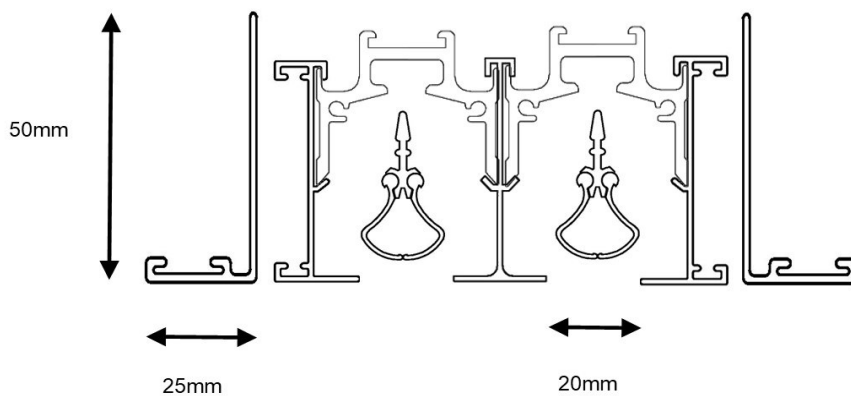
No of Slots	Slot Width (mm)	Exact neck width (mm)	Exact Face Width (mm)
1	25	65	112
2	25	110	157
3	25	155	170
4	25	200	247
5	25	245	292

Cooltech Industries RC linear slot can be manufactured with up to 5 slots. Safety chains are fitted to all RC linear slots that wider than 2 slots or longer that 2m.



Linear Slot Diffuser (SLD)

Removable Core 20mm Slot Width



No of Slots	Slot Width (mm)	Exact neck width (mm)	Exact Face Width (mm)
1	20	60	107
2	20	100	147
3	20	140	187
4	20	180	227
5	20	220	267

Cooltech Industries RC linear slot can be manufactured with up to 5 slots. Safety chains are fitted to all RC linear slots that wider than 2 slots or longer that 2m.



Linear Slot Diffuser (SLD)

Performance Data 25mm slot width

No. Slots	Total Pressure (Pa)	H V	1.0 0.5	5 2.5	10 5	15 10	25 15	35 20	50 30	65 37.5
1	L/S per metre		10	25	35	50	60	70	85	95
	Throw (metres)	H V	0.3-0.9 0.6	0.3-2.9 2.2	0.9-4.1 3.4	1.6-4.8 4.4	2.5-5.3 5	3.4-5.9 5.3	3.8-6.3 5.9	4.0-6.9 6.3
	NRdb		-	-	-	<22	26	32	37	40
2	L/S per metre		25	50	70	95	120	145	170	190
	Throw (metres)	H V	0.3-1.9 1.2	0.9-4.7 3.1	1.9-5.9 5	3.1-6.6 6.3	4.1-7.5 6.9	4.7-8.1 7.8	5.3-8.8 8.4	5.6-9.4 8.8
	NRdb		-	-	13	24	31	37	42	46
3	L/S per metre		35	70	110	145	180	215	250	290
	Throw (metres)	H V	0.3-2.5 1.9	1.3-5.9 4.1	2.5-7.2 5.9	4.1-8.1 7.8	5-9.4 8.4	5.9-10. 9.4	6.6-10.9 10	6.9-11.6 10.9
	NRdb		-	-	-	28	34	39	44	48
4	L/S per metre		50	95	145	190	240	280	335	385
	Throw (metres)	H V	0.3-3.4 2.2	1.6-6.9 4.7	3.4-8.1 7.2	4.7-9.4 8.8	5.9-10.6 10	6.9-11.6 10.9	7.5-12.5 11.9	7.8-13.4 12.5
	NRdb		-	-	<22	29	36	42	46	50
5	L/S per metre		60	120	180	240	300	360	420	480
	Throw (metres)	H V	0.6-3.8 2.5	2.2-7.5 5.3	4.1-9.4 7.8	5.3-10.6 10	6.6-11.9 11.3	7.8-13.1 12.2	8.4-14.1 13.1	8.8-15 14.1
	NRdb		-	-	<22	31	37	43	48	52
6	L/S per metre		70	145	215	290	360	430	505	575
	Throw (metres)	H V	0.6-4.1 2.8	2.8-8.1 5.6	4.4-10 8.8	5.6-11.6 10.9	7.2-13.1 12.2	8.4-14.1 13.1	9.1-15.3 14.4	9.7-16.3 15.3
	NRdb		-	-	<22	32	38	44	49	53
7	L/S per metre		85	170	250	335	420	505	590	670
	Throw (metres)	H V	0.8-4.4 3.1	3.1-8.8 6.2	4.7-10.9 8.4	6.3-12.5 11.6	7.8-14.1 13.1	9.1-15.3 13.4	9.7-16.6 15.	10.3-17.5 16.3
	NRdb		-	-	22	33	39	45	50	54
8	L/S per metre		95	190	200	385	480	575	670	770
	Throw (metres)	H V	1.3-4.7 3.2	3.1-9.4 6.3	5.0-11.6 9.4	6.6-13.4 12.5	8.1-15 14.1	9.7-16.3 15.3	10.3-17.5 16.3	10.9-18.8 17.5
	NRdb		-	-	23	34	40	46	51	55

Throw – Horizontal – Minimum Terminal Velocity = 0.75 m/s
Maximum terminal Velocity = 0.25 m/s



Linear Slot Diffuser (SLD)

Performance Data 20mm slot width

No. Slots	Total Pressure (Pa)	H V	1.5 1	4 3	8 6	15 12	23 18	32 25	45 32	60 45
1	L/S per metre		9	17	26	35	45	52	60	70
	Throw (metres)	H V	0.3-0.9 0.6	0.3-2.6 2.2	0.8-3.9 3.4	1.3-4.5 4.2	2.2-5.0 5.2	3.1-5.8 5.3	3.6-6.1 6	3.8-6.6 6.3
	NRdb		-	-	-	<22	26	32	37	42
2	L/S per metre		17	35	52	70	85	105	125	145
	Throw (metres)	H V	0.3-1.9 1.1	0.8-4.5 3.1	1.7-5.7 5	2.9-6.3 6.2	3.8-7.3 6.8	4.5-8.0 7.8	5.0-8.5 8.4	5.5-9.2 8.7
	NRdb		-	-	<22	25	31	36	42	47
3	L/S per metre		26	52	80	105	130	160	185	215
	Throw (metres)	H V	0.3-2.4 1.8	1.0-5.8 4.0	2.3-6.9 5.9	3.9-8.0 7.8	4.8-9.2 8.4	5.7-9.7 9.4	6.2-10.7 9.9	6.6-11.4 10.8
	NRdb		-	-	<22	27	33	40	46	50
4	L/S per metre		35	70	105	145	175	215	250	285
	Throw (metres)	H V	0.3-3.3 2.1	1.6-6.6 4.6	3.1-8.0 7.1	4.7-9.2 8.7	5.7-10.4 9.8	6.6-11.5 10.8	7.2-12.3 11.8	7.6-13.3 12.4
	NRdb		-	<22	21	29	35	42	48	53
5	L/S per metre		45	85	130	175	220	285	310	355
	Throw (metres)	H V	0.5-3.6 2.4	2.0-7.2 5.2	3.9-9.2 7.8	5.1-10.3 9.8	6.2-11.7 11.2	7.6-13.0 12.1	8.2-13.9 13.1	8.5-14.8 14.0
	NRdb		-	<22	23	31	36	43	48	53
6	L/S per metre		52	105	160	215	265	320	375	430
	Throw (metres)	H V	0.5-3.9 2.6	2.5-7.9 5.4	4.1-9.7 8.6	5.4-11.4 10.8	6.9-13.0 12.1	8.2-13.9 13.1	8.7-15.1 14.3	9.5-16.0 15.2
	NRdb		-	<22	23	32	38	44	49	54
7	L/S per metre		60	125	185	250	310	375	440	500
	Throw (metres)	H V	0.8-4.2 3.0	2.9-8.4 6.0	4.6-10.7 8.3	6.1-12.3 11.5	7.6-13.9 13.5	8.8-15.2 14.3	9.6-16.4 15.3	10.-17.4 16.1
	NRdb		-	<22	24	33	39	46	51	57
8	L/S per metre		70	145	215	285	355	430	500	570
	Throw (metres)	H V	1.1-4.5 3	3.0-9.1 5.5	4.7-11.4 8.5	6.3-13.2 12.2	7.9-14.9 14.0	9.6-15.9 15.3	10.-17.3 16.1	10.7-18.5 17.4
	NRdb		-	<22	25	34	39	46	51	59

Throw – Horizontal – Minimum Terminal Velocity = 0.75 m/s
Maximum terminal Velocity = 0.25 m/s